

# 속 압소바

## SHOCK ABSORBER

KJSA

주문기호 [ Ordering Code ]

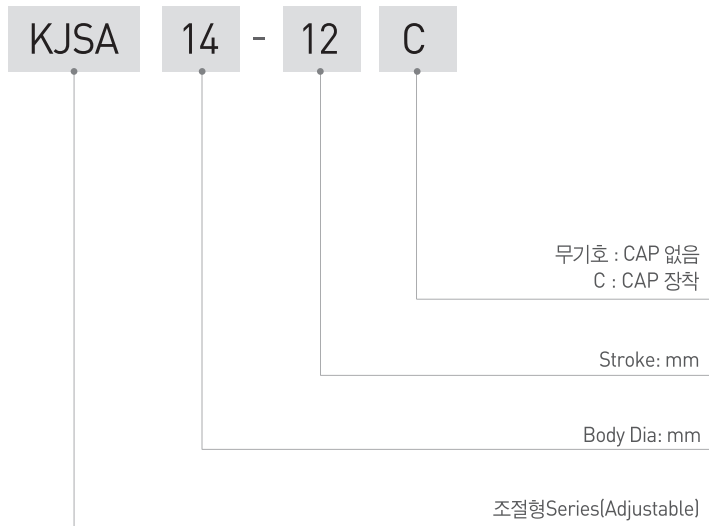
조절형 Adjustable

SENSOR

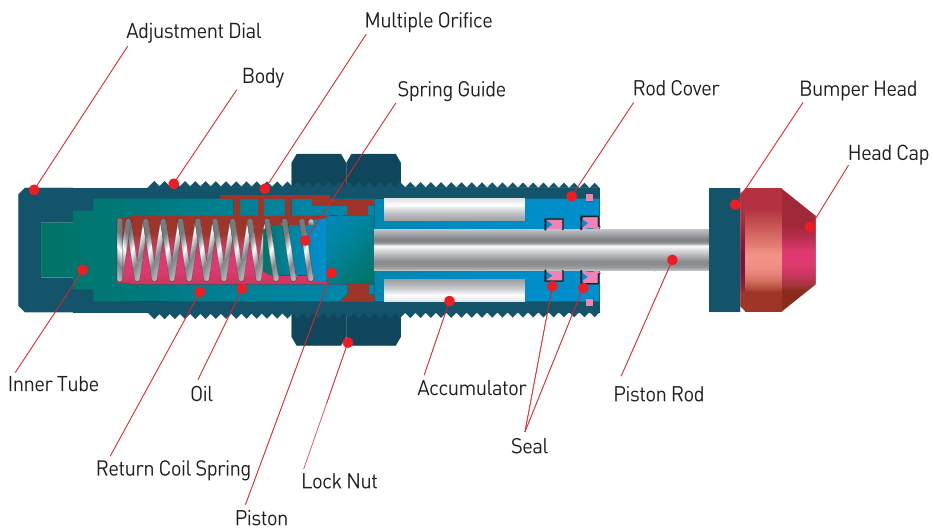
SHOCK  
ABSORBER

MOTOR

LINEAR  
GUIDE



내부구조도 [ Inner Structural Drawing ]



# KJSA12 Series SHOCK ABSORBER

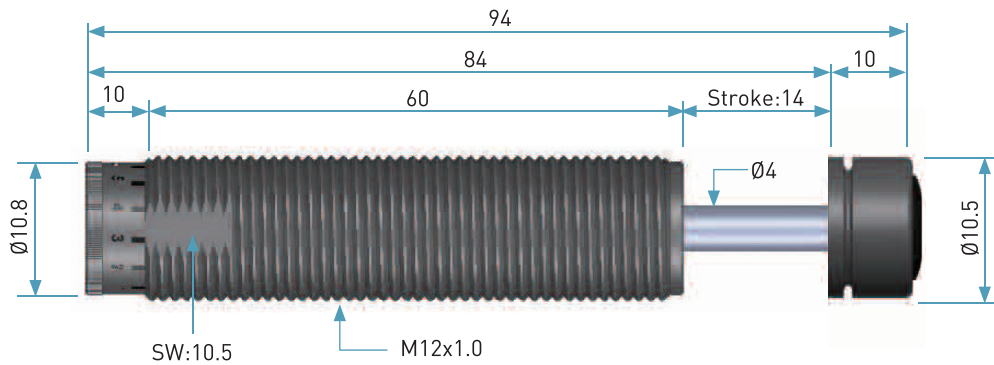
## 제품사양 [ Specification ]

조절형 Adjustable

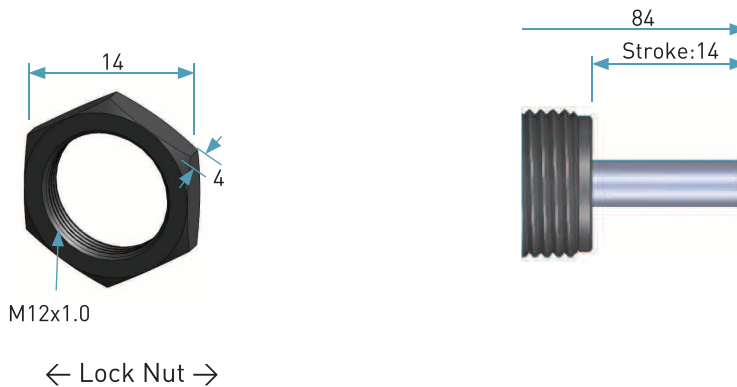
Model	Stroke (mm) S	Max Energy / Cycle (Nm) Et	Max Energy / Hour (Nm) EtC	Effective Weight (kg) We	Return Spring Force (N)		Weight (g)	Thread
					Extension	Compression		
KJSA12-14 KJSA12-14C	14	21.5	35,000	4-477	3.7	9.6	33	M12x1.0

### KJSA12-14C

(unit : mm)



### KJSA12-14



# KJSA14 Series SHOCK ABSORBER

## 제품사양 [ Specification ]

조절형 Adjustable

Model	Stroke (mm) S	Max Energy / Cycle (Nm) Et	Max Energy / Hour (Nm) EtC	Effective Weight (kg) We	Return Spring Force (N)		Weight (g)	Thread
					Extension	Compression		
KJSA14-12 KJSA14-12C	12	21.5	45,000	1.5 - 494	3.6	9.8	55	M14x1.5

SENSOR

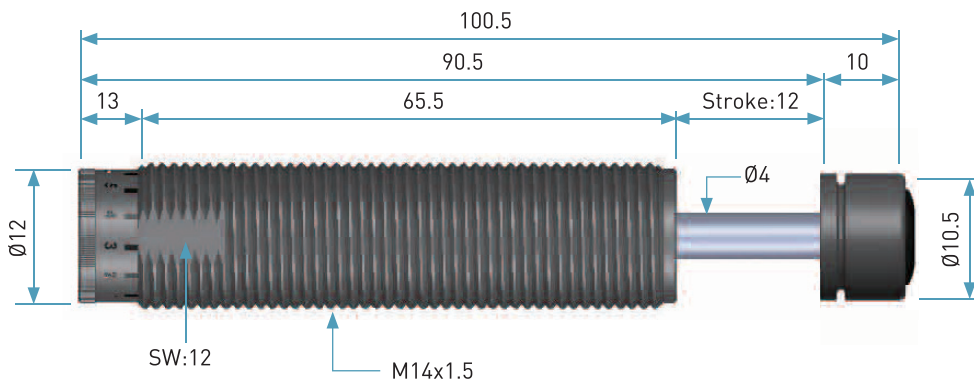
SHOCK  
ABSORBER

MOTOR

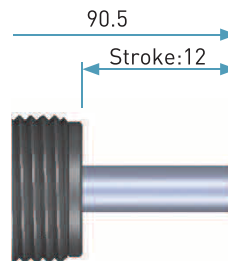
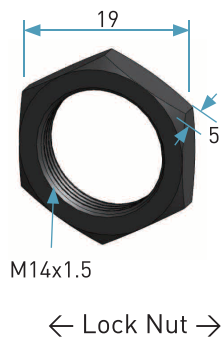
LINEAR  
GUIDE

### KJSA14-12C

(unit : mm)



### KJSA14-12



# KJSA20 Series SHOCK ABSORBER

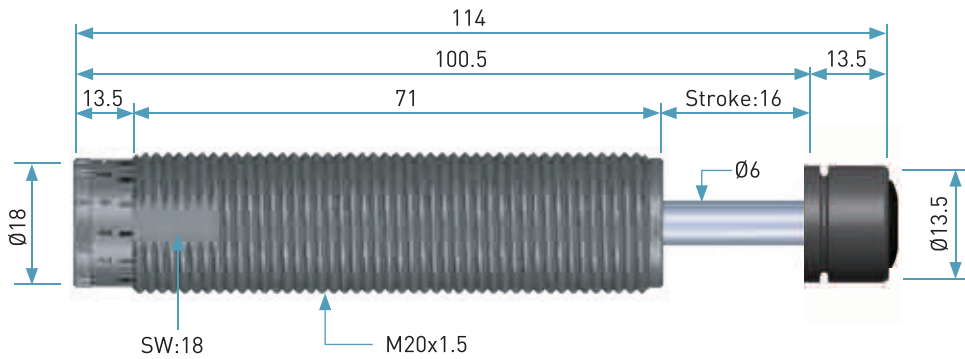
## 제품사양 [ Specification ]

조절형 Adjustable

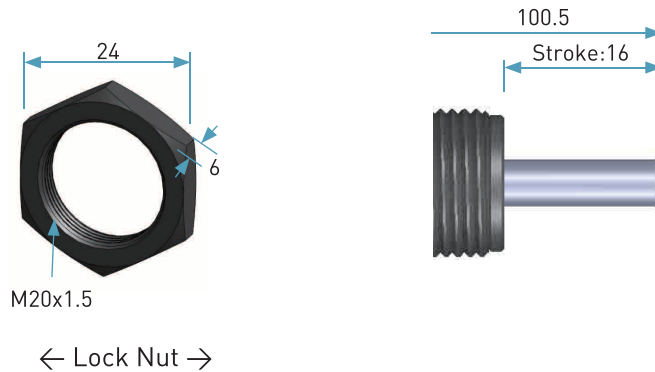
Model	Stroke (mm) S	Max Energy / Cycle (Nm) Et	Max Energy / Hour (Nm) EtC	Effective Weight (kg) We	Return Spring Force (N)		Weight (g)	Thread
					Extension	Compression		
KJSA20-16 KJSA20-16C	16	61	63,000	4.5 - 1,230	8	19.6	145	M20x1.5

### KJSA20-16C

(unit : mm)



### KJSA20-16



# KJSA25 Series SHOCK ABSORBER

## 제품사양 [ Specification ]

조절형 Adjustable

Model	Stroke (mm) S	Max Energy / Cycle (Nm) Et	Max Energy / Hour (Nm) EtC	Effective Weight (kg) We	Return Spring Force (N)		Weight (g)	Thread
					Extension	Compression		
KJSA25-25 KJSA25-25C	25	177	113,000	8.3 - 2,150	10.2	29.5	285	M25x1.5

SENSOR

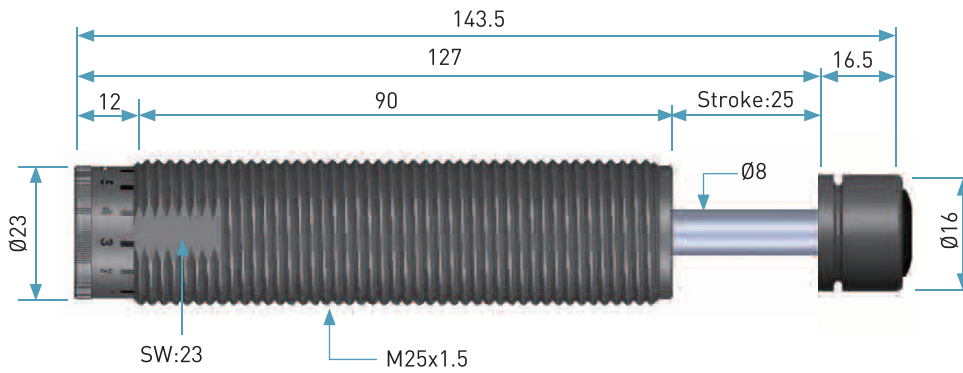
SHOCK  
ABSORBER

MOTOR

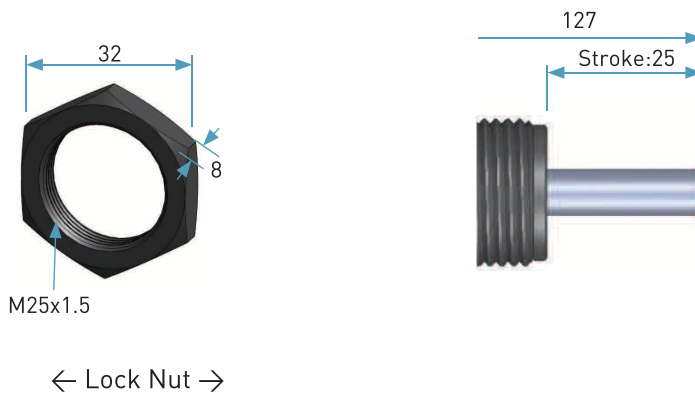
LINEAR  
GUIDE

### KJSA25-25C

(unit : mm)



### KJSA25-25



← Lock Nut →

# KJSA27 Series SHOCK ABSORBER

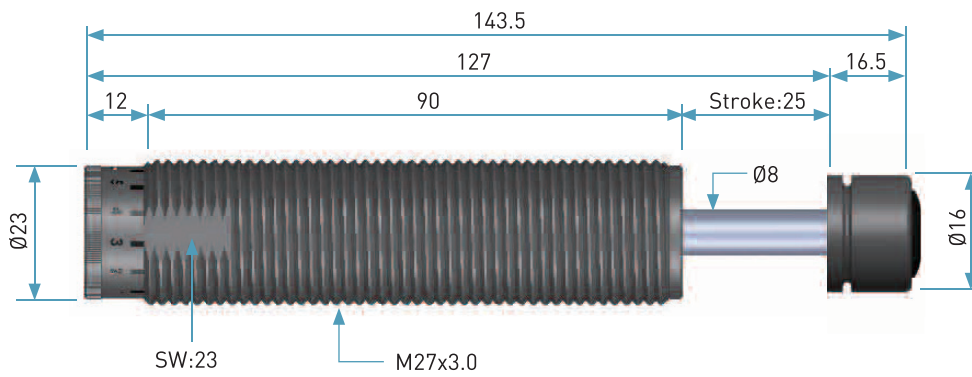
## 제품사양 [ Specification ]

조절형 Adjustable

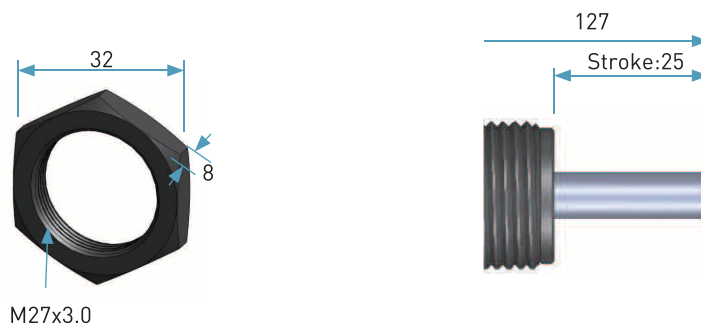
Model	Stroke (mm) S	Max Energy / Cycle (Nm) Et	Max Energy / Hour (Nm) EtC	Effective Weight (kg) We	Return Spring Force (N)		Weight (g)	Thread
					Extension	Compression		
KJSA27-25 KJSA27-25C	25	177	113,000	8.3 - 2,150	10.2	29.5	305	M27x3.0

### KJSA27-25C

(unit : mm)



### KJSA27-25



← Lock Nut →

# 속 압쇼바

## SHOCK ABSORBER

KJSN

주문기호 [ Ordering Code ]

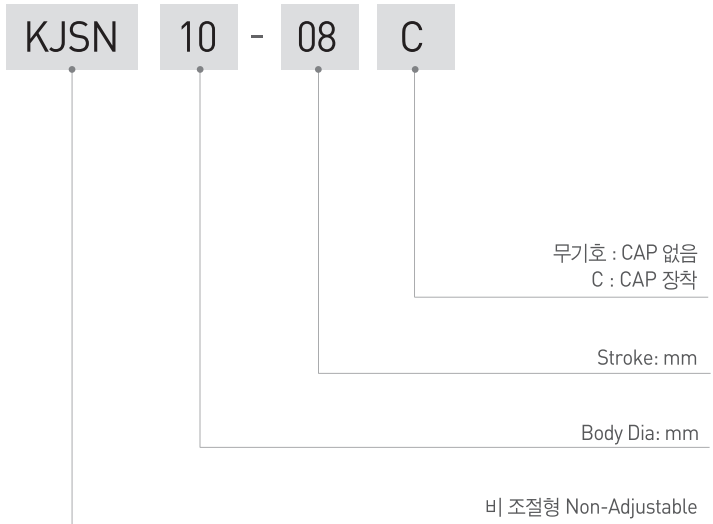
비 조절형 Non-Adjustable

SENSOR

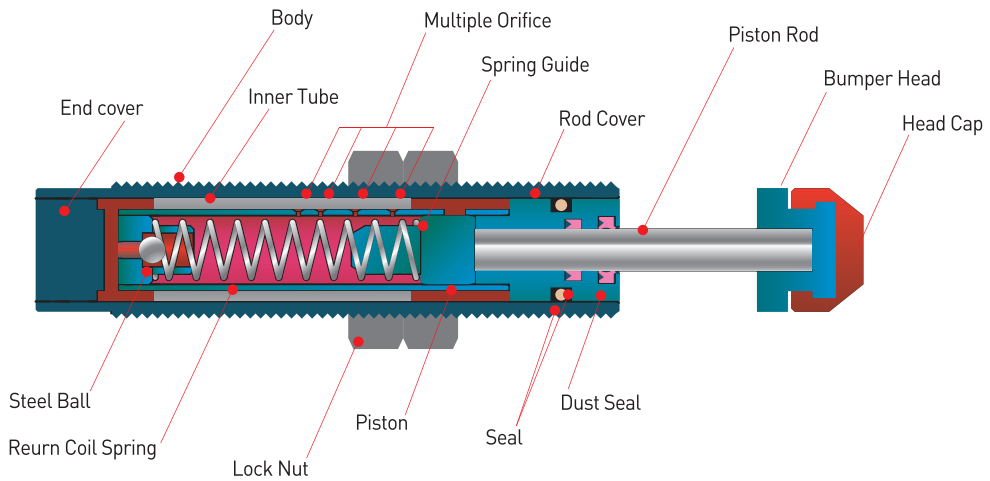
SHOCK  
ABSORBER

MOTOR

LINEAR  
GUIDE



내부구조도 [ Inner Structural Drawing ]



# KJSN08 Series SHOCK ABSORBER

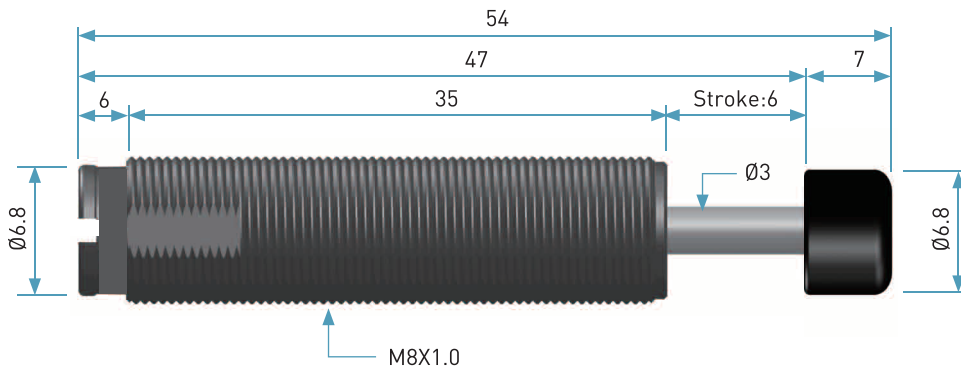
## 제품사양 [ Specification ]

비 조절형 Non-Adjustable

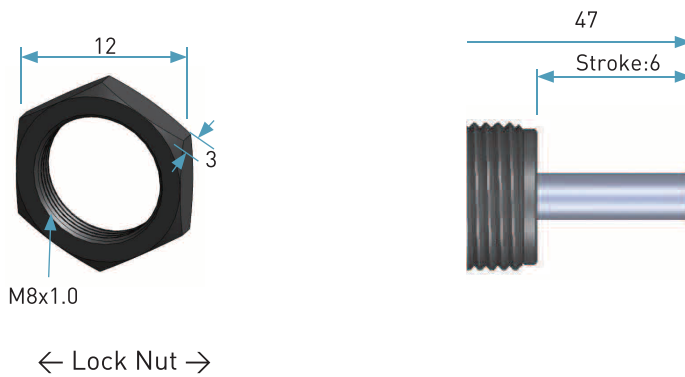
Model	Stroke (mm) S	Max Energy / Cycle (Nm) E <sub>T</sub>	Max Energy / Hour (Nm) E <sub>T</sub> C	Effective Weight (kg)			Return Spring Force (N)		Weight (g)	Thread
				S	M	H	Extension	Compression		
KJSN08-06 KJSN08-06C	6	5	8,000	0.6-2.8	2.6-7.5	7.2-22	2.2	5.8	10	M8x1.0

### KJSN08-06C

(unit : mm)



### KJSN08-06





# KJSN10 Series SHOCK ABSORBER

## 제품사양 [ Specification ]

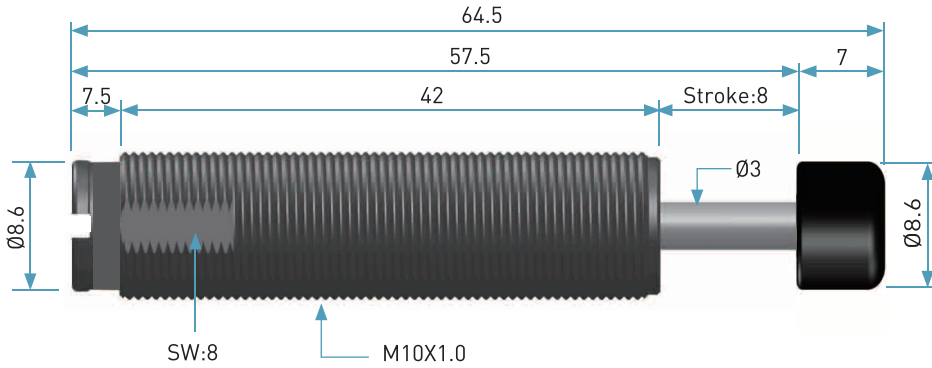
비 조절형 Non-Adjustable

- SENSOR
- SHOCK ABSORBER
- MOTOR
- LINEAR GUIDE

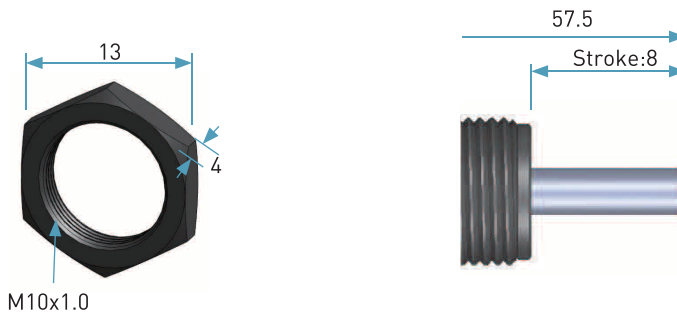
Model	Stroke (mm) S	Max Energy / Cycle (Nm) E <sub>T</sub>	Max Energy / Hour (Nm) E <sub>T</sub> C	Effective Weight (kg)			Return Spring Force (N)		Weight (g)	Thread
				S	M	H	Extension	Compression		
KJSN10-08 KJSN10-08C	8	11	14,500	2.7-8.6	7.0-19	18-54	2.5	6.9	15.5	M10x1.0

### KJSN10-08C

(unit : mm)



### KJSN10-08



← Lock Nut →

# KJSN12 Series SHOCK ABSORBER

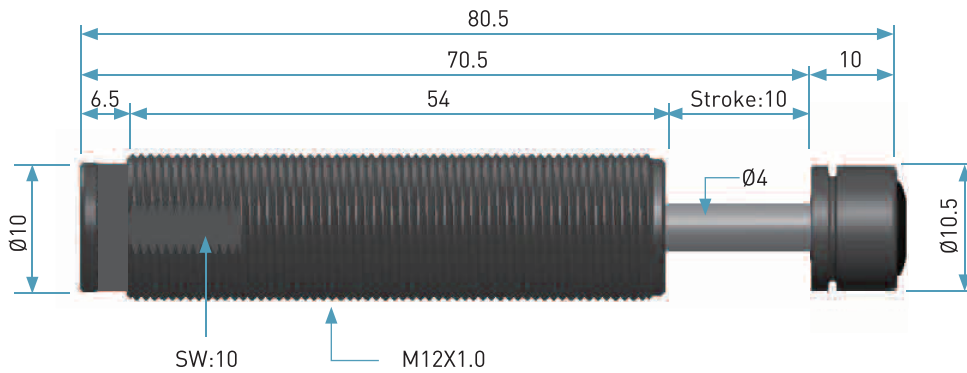
## 제품사양 [ Specification ]

비 조절형 Non-Adjustable

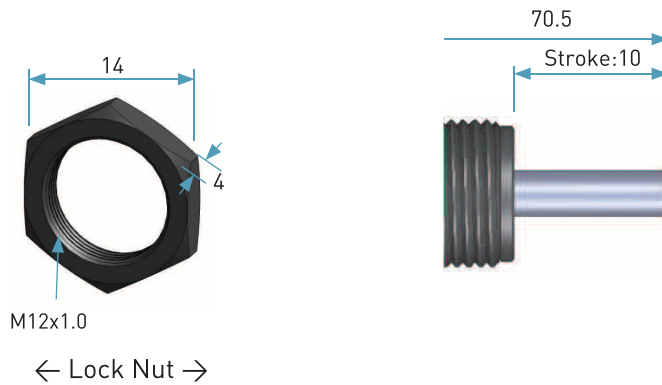
Model	Stroke (mm) S	Max Energy / Cycle (Nm) E <sub>T</sub>	Max Energy / Hour (Nm) E <sub>T</sub> C	Effective Weight (kg)			Return Spring Force (N)		Weight (g)	Thread
				S	M	H	Extension	Compression		
KJSN12-10 KJSN12-10C	10	18	34,000	1.2-2.2	1.8-9.5	8.0-65	3.7	9.6	23	M12x1.0

### KJSN12-10C

(unit : mm)



### KJSN12-10



# KJSN14 Series SHOCK ABSORBER

## 제품사양 [ Specification ]

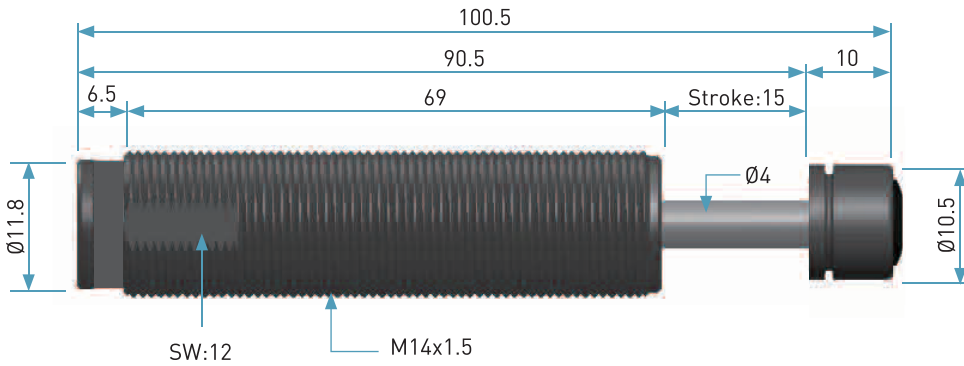
비 조절형 Non-Adjustable

- SENSOR
- SHOCK ABSORBER
- MOTOR
- LINEAR GUIDE

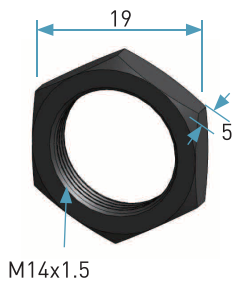
Model	Stroke (mm) S	Max Energy / Cycle (Nm) E <sub>T</sub>	Max Energy / Hour (Nm) E <sub>T</sub> C	Effective Weight (kg)			Return Spring Force (N)		Weight (g)	Thread
				S	M	H	Extension	Compression		
KJSN14-15 KJSN14-15C	15	34	51,000	2.6-19	16-44	40-160	3.8	13.3	43	M14x1.5

### KJSN14-15C

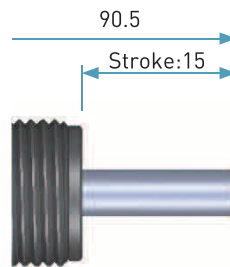
(unit : mm)



### KJSN14-15



← Lock Nut →



# KJSN20 Series SHOCK ABSORBER

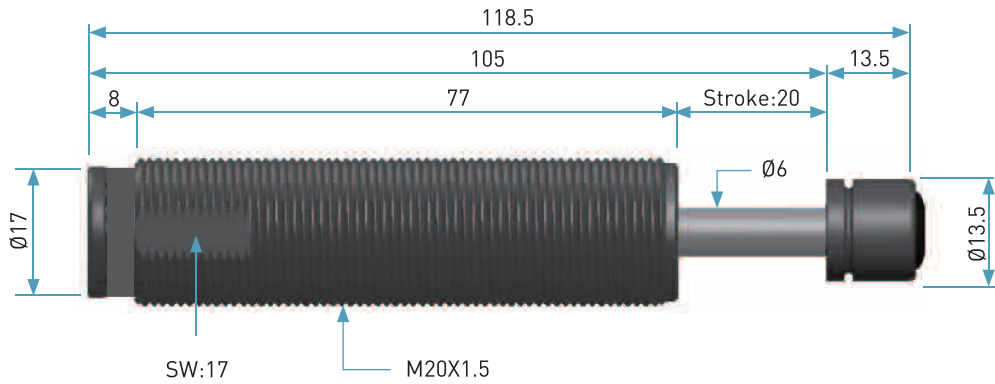
## 제품사양 [ Specification ]

비 조절형 Non-Adjustable

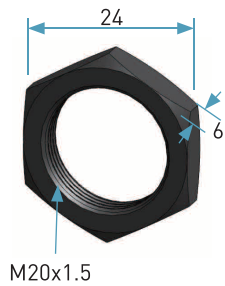
Model	Stroke (mm) S	Max Energy / Cycle (Nm) E <sub>T</sub>	Max Energy / Hour (Nm) E <sub>T</sub> C	Effective Weight (kg)			Return Spring Force (N)		Weight (g)	Thread
				S	M	H	Extension	Compression		
KJSN20-20 KJSN20-20C	20	105	55,000	10 - 65	52 - 210	146 - 583	8.2	23	140	M20x1.5

### KJSN20-20C

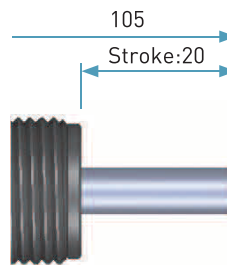
(unit : mm)



### KJSN20-20



← Lock Nut →



# KJSN25 Series SHOCK ABSORBER

## 제품사양 [ Specification ]

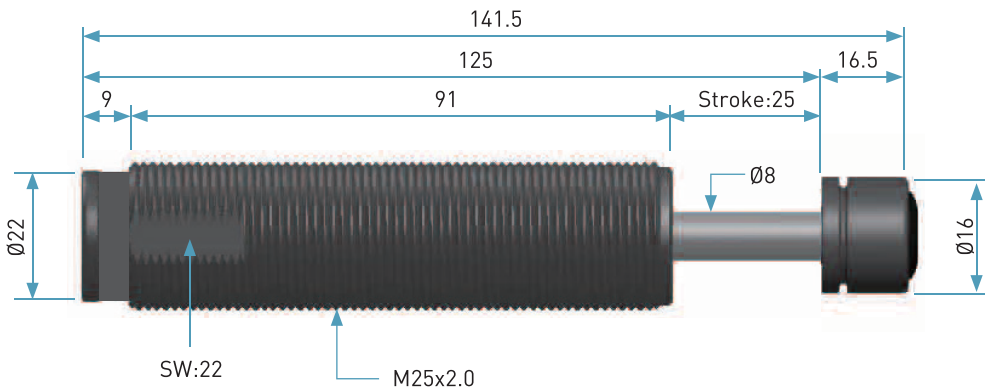
비 조절형 Non-Adjustable

- SENSOR
- SHOCK ABSORBER
- MOTOR
- LINEAR GUIDE

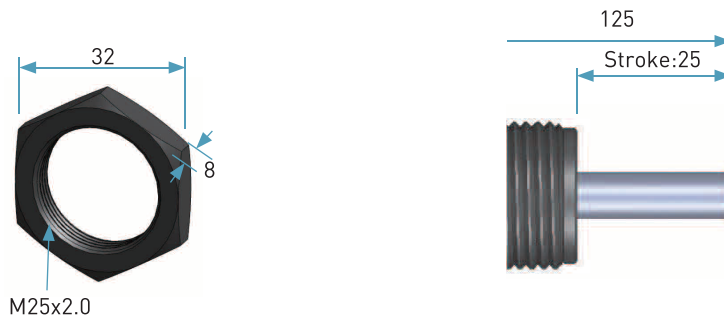
Model	Stroke (mm) S	Max Energy / Cycle (Nm) Et	Max Energy / Hour (Nm) EtC	Effective Weight (kg)			Return Spring Force (N)		Weight (g)	Thread
				S	M	H	Extension	Compression		
KJSN25-25 KJSN25-25C	25	226	69,000	28 - 230	140 - 1,255	706 - 7,230	11	29	265	M25x2.0

### KJSN25-25C

(unit : mm)



### KJSN25-25



← Lock Nut →